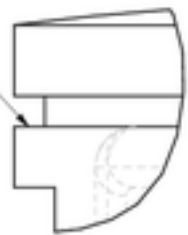
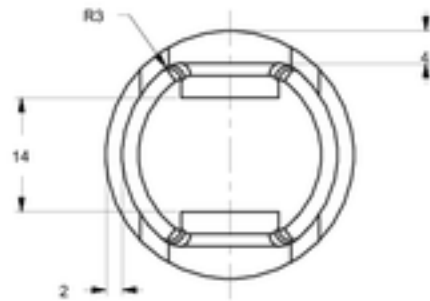


GROOVE 3mm WIDE
x 1.5 DEEP

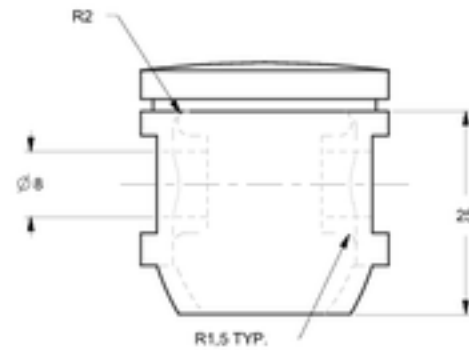
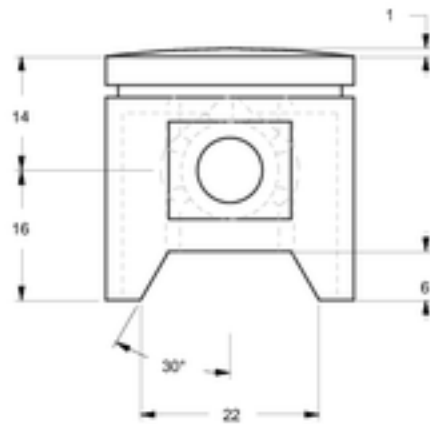
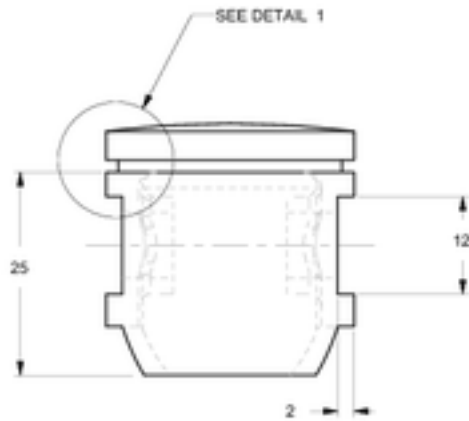


DETAIL 1
SCALE 5:1



SCALE 2:1

SEE DETAIL 1



GENERAL TOLERANCES UNLESS NOTED		PTC NEEDHAM, MA	
Tolerance Standard: ISO Model Class: MEDIUM		MODEL	
DRAWN Simon		DATE 31-Mar-08	
CHECKED		DATE	
APPROVED		DATE	
SIZE A2	DRAWING NAME PISTON		
SCALE 2:1	TYPE PART	SHEET 1/1	